

DLT-V7212/V7215 P+ Rugged X86-Based Vehicle-Mounted Terminal



Features

- 12/15" XGA color TFT display
- Intel® Atom® E3845 quad-core, 1.91 GHz, with 4GB RAM
- Sunlight-readable, optically bonded PCAP touchscreen with multi-touch control
- Full IP66 rating for protection from water and dust ingress
- 5M3 certification for shock and vibration tolerance
- IK08-certified touchscreen for impact tolerance and abrasion resistance
- Wide operating temperature range (-30 ~ 50 °C/-22 ~ 122 °F) to withstand extreme environments
- Optional uninterruptible power supply via backup battery (up to 20 minutes operation)
- Supports Windows, Linux, and Android OS
- Certified with SOTI and Navis N4 software
- Equipped with DeviceOn/iService software for remote device management

DeviceOn/iService

Introduction

Equipped with an Intel® Atom™ E3845 processor, DLT-V7212/V7215 P+ is rugged vehicle-mounted terminal designed to provide maximum system uptime for a wide range of logistics and industrial applications. The compact design saves in-vehicle installation space and minimizes obstructions to road visibility, thereby improving driving safety. DLT-V7212/V7215 P+ can support a wide operating temperature range (-30 ~ 50 °C/-22 ~ 122 °F) to withstand operation in extreme industrial environments (from hot and humid, to dry freezer environments). The Advantech low-profile antenna offers excellent transmission capabilities in a compact form factor. The P-CAP touchscreen ensures easy input and supports gloved operation.

Moreover, DLT-V7212/V7215 P+ is equipped with Advantech's DeviceOn/iService software, which is a next-generation unified device management solution based on the WISEDeviceOn platform. With support for batch operations and multi-device control, DeviceOn/iService enables easy device configuration and deployment for convenient remote device management.

Specifications

System	CPU	Intel® Atom® E3845 quad-core, 1.91 GHz, with 4GB RAM
	Storage	16 GB - 256 GB CFast
Dimensions	DLT-V7212 P+	297 x 266 x 77 mm (11.69 x 10.47 x 3.03 in)
	DLT-V7215 P+	357 x 299 x 89 mm (14.05 x 12.51 x 3.5 in)
Weight	DLT-V7212 P+	3.7 kg (8 lb) without battery pack/antenna/accessories
	DLT-V7215 P+	5.4 kg (11 lb) without battery pack, antenna and accessories
Housing		Completely sealed, fanless design made of coated aluminum
Display	DLT-V7212 P+	12.1" XGA color TFT with 1024 x 768 resolution and 600 cd/m ² brightness
	DLT-V7215 P+	15" XGA color TFT with 1024 x 768 resolution and 600 cd/m ² brightness
Touchscreen	Type	Sunlight-readable Projective capacitive (P-CAP) touchscreen, optical bonded with multi-touch control
Control Buttons	Front Panel	3 x control buttons
Software	Operating System	Windows 10 IoT Enterprise, Windows 7 Pro, Windows Embedded Standard 7, Debian-based Linux, IGEL Linux, Android 9
	Emulations (Third-Party)	VT100, VT220, IBM 5250, TN 3270, Citrix Client®
Communication	WLAN	WLAN IEEE 802.11 a/b/g/n/ac (optional)
	WWAN	WWAN (LTE, UMTS, HSPA+, GSM, GPRS, EDGE) (optional)
	LAN	Ethernet 10/100/1000 Mbit/s
	WPAN	Bluetooth 5.0 (optional)
Interfaces	Serial	2 x RS-232, COM1 with switchable 5 V _{DC} /RI
	USB	4 x USB 2.0 (Hi-Speed™) bootable, 1 x service USB 3.0 (Super-Speed™)
	External Antennas	1 x RSMA for WLAN, 1 x SMA for WWAN (optional)
Sensors		Accelerometer, Gyro (optional)
Audio		1 x integrated speaker
Power Supply		12/24/48 V _{DC} nominally
		Automatic Power On/Off function via vehicle ignition with optional UPS (20 minutes typical); battery life may vary according to load
Environmental	IP Rating	IP66 rating for the entire system
	Operating Temperature	-30 ~ 50 °C (-22 ~ 122 °F)
	Relative Humidity	10 to 90% at 40 °C (104 °F), non-condensing
	Shock/Vibration	5M3 (EN 60721-3-5) and MIL-STD 810F (US highway truck vibration exposure)
Certifications	Touchscreen Durability	IK 08
		CE Immunity Class A, Emission Class B/FCC Class B (for EU and USA), CCC (for China)

Specifications Cont.

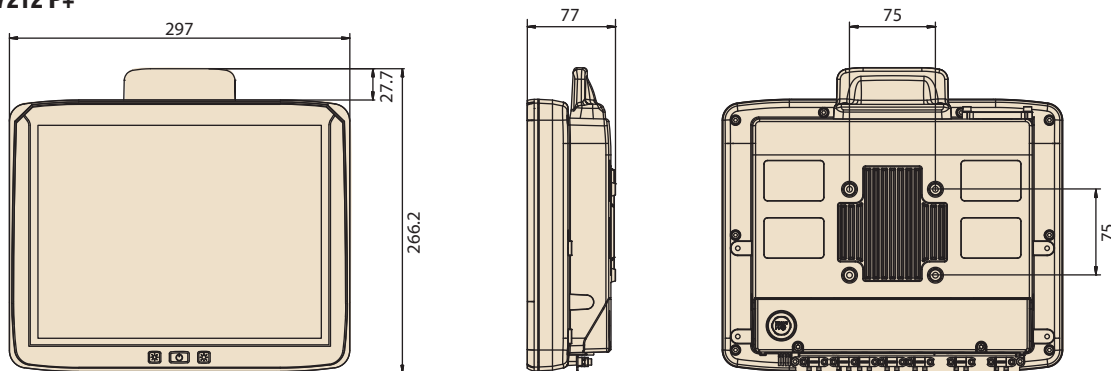
DeviceOn/iService Remote Device Management	Operating System	Windows 10	Android 9
	Common Controls (Reboot, Shutdown)	✓	✓
	Remote desktop	✓ (VNC)	✓ (VNC)
	Device-Specific Audio Control	✓	✓
	Connection Status	✓	✓
	Hardware Status	✓*	✓*
	Hard Disk Status	✓*	✓*
	Batch Operation Support	✓	✓
	OTA Storage Management	FTP	Local blob
	OTA Software Application Update	✓	✓
	Software Watchlist	✓	✓
	Software Start/Stop	✓*	✓
	Kiosk Mode	✓	✓
Dependant on device model	Peripherals Watchlist	✓	✓*

Note: DeviceOn/iService software must be downloaded from the Advantech website at <https://www.advantech.com/search?q=DeviceOn%2FiService&st=support&ssl=Utility>

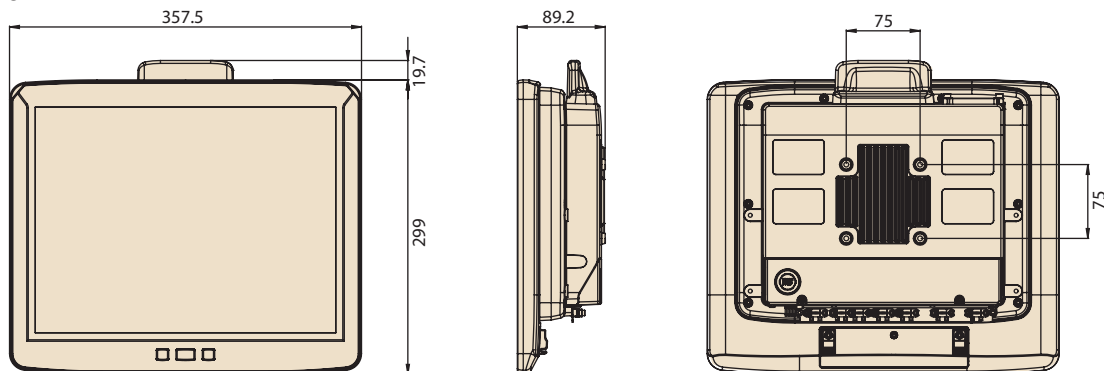
Dimensions

Unit: mm

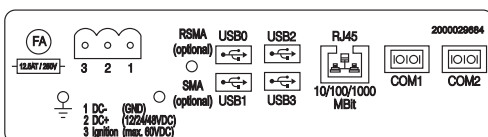
DLT-V7212 P+



DLT-V7215 P+



I/O Connectors



Ordering Information

For Worldwide Model

Ordering PN	Description
DLV7212-7QM1A0WFO	DLT-V72 Series, P+, 12" Display, Projective Capacitive Touch, 4GB RAM, 64GB Storage, Windows 10 IoT, Wi-Fi, 12/24/48 V _{DC}
DLV7212-7QM1A0WFO	DLT-V72 Series, P+, 12" Display, Projective Capacitive Touch, 4GB RAM, 64GB Storage, Android 9, Wi-Fi, 12/24/48 V _{DC}

Further configurations on request

For US Model

Ordering PN	Description
DLV7212-7QM410WFC0	DLT-V72 Series, P+, 12" Display, Projective Capacitive Touch, 4GB RAM, 64GB Storage, Windows 10 IoT, Wi-Fi, 12/24/48 V _{DC} , Uninterrupted Power Supply
DLV7212-7QM4A0WFC0	DLT-V72 Series, P+, 12" Display, Projective Capacitive Touch, 4GB RAM, 64GB Storage, Android 9, Wi-Fi, 12/24/48 V _{DC} , Uninterrupted Power Supply

Further configurations on request

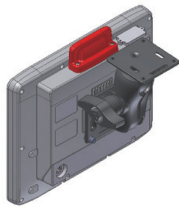
Optional Accessories

Part Number	Description
DL-MTK009	Mounting bracket mobile
DL-MTRM004	RAM-Mount Set, one arm, arm length 130mm
DL-MTRM003	RAM-Mount Set, one arm, arm length 215mm
DL-MTRM001	RAM-Mount Set, two arms, arm length 150mm

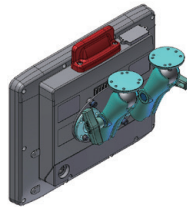
Further configurations on request

Mount Kit Options

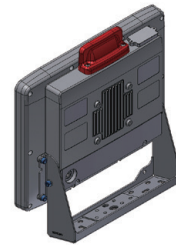
RAM-Mount Set (one arm)



RAM-Mount Set (two arms)



Mobile Mounting Bracket



DeviceOn/iService

Unified Remote Device Management Software



Features

- Supports Advantech devices equipped with Windows, Android, and Linux OS
- Flexible device, location, user, and permissions management
- Enables remote monitoring and control of hardware, software, and peripherals
- Supports over-the-air (OTA) firmware and software updates
- Ensures quick, easy, and secure device onboarding
- RESTful APIs for third-party system integration

Introduction

Advantech's DeviceOn/iService is a next-generation unified device management solution based on the WISE-DeviceOn platform. Designed to enable centralized monitoring and remote management, DeviceOn/iService supports Advantech devices equipped with Windows, Linux, or Android operating systems. The software also supports the management of applications and integrated peripherals, such as a barcode scanner, card reader, camera, and printer. Users can remotely access and control connected devices, take screenshots, rollout OTA upgrades, and use remote desktop capabilities for troubleshooting from any location at any time. Moreover, DeviceOn/iService supports batch operations to facilitate the management of multiple devices simultaneously for easy and convenient device configuration and deployment.

Total Management



Devices & Hardware

- Windows, Linux, Android
- Hardware, storage, battery



Software & Peripherals

- Software monitoring & access
- Screens, USB devices, printers



Open for Expansion

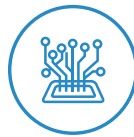
- Peripheral integration
- Open APIs for integration

Remote Access



Real-Time Monitoring

- Connection/hardware status
- Software/peripheral status
- Failure notifications



Remote Controls

- Power controls
- Audio, backlight controls
- Software controls



Troubleshooting

- Screenshots
- Remote desktop support

Operational Efficiency



OTA updates

- System/software updates
- File repository management
- App store



Batch Controls

- 1-to-many batch reboot, etc.
- Time-saving tasks



Setup Booster

- Software/peripheral watchlist
- Roles, rule templates

Note: Some functions may vary according to the product

System Architecture

